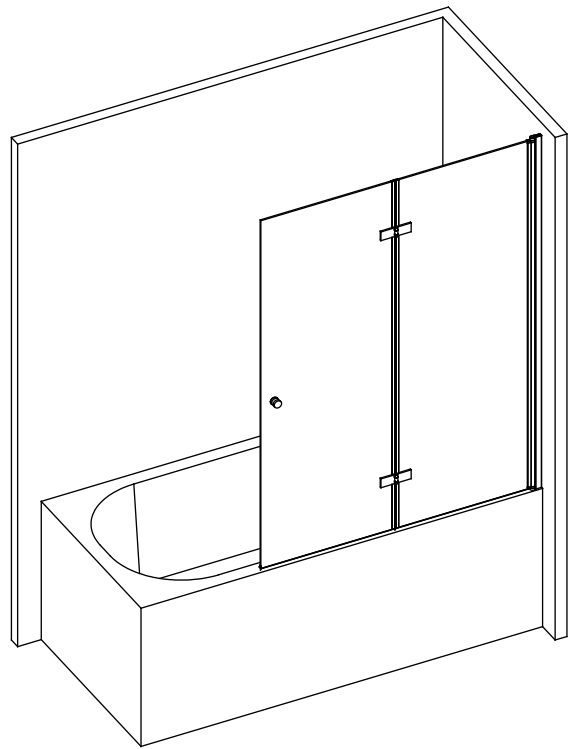
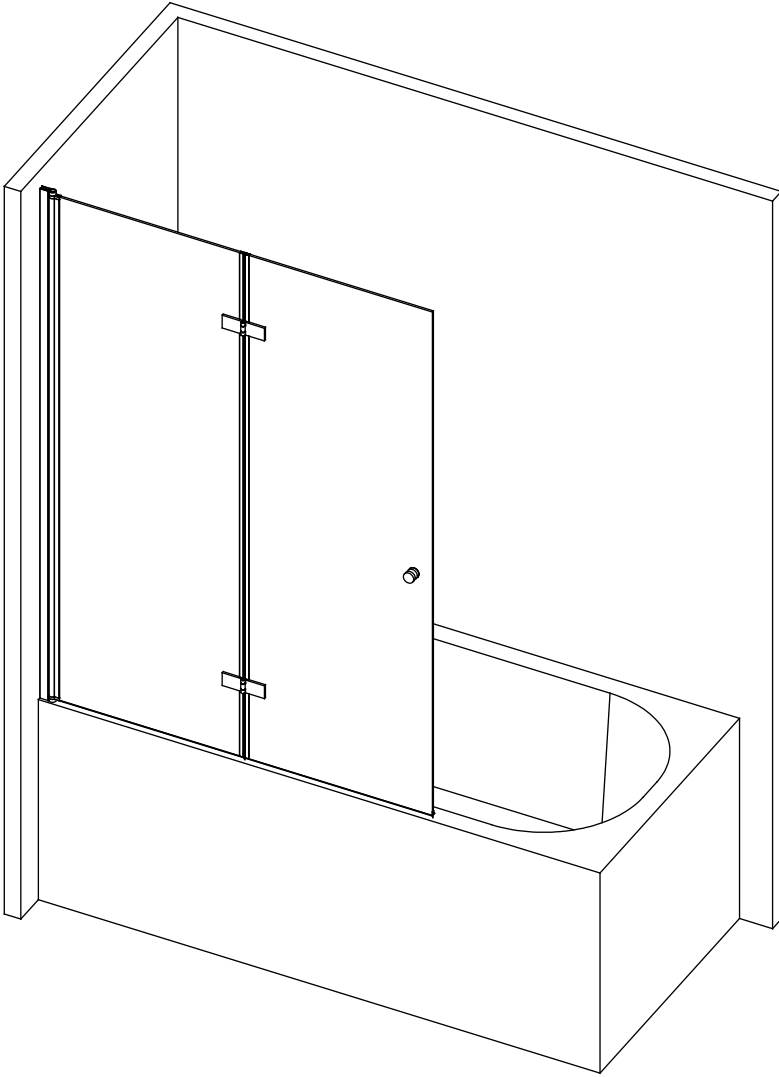
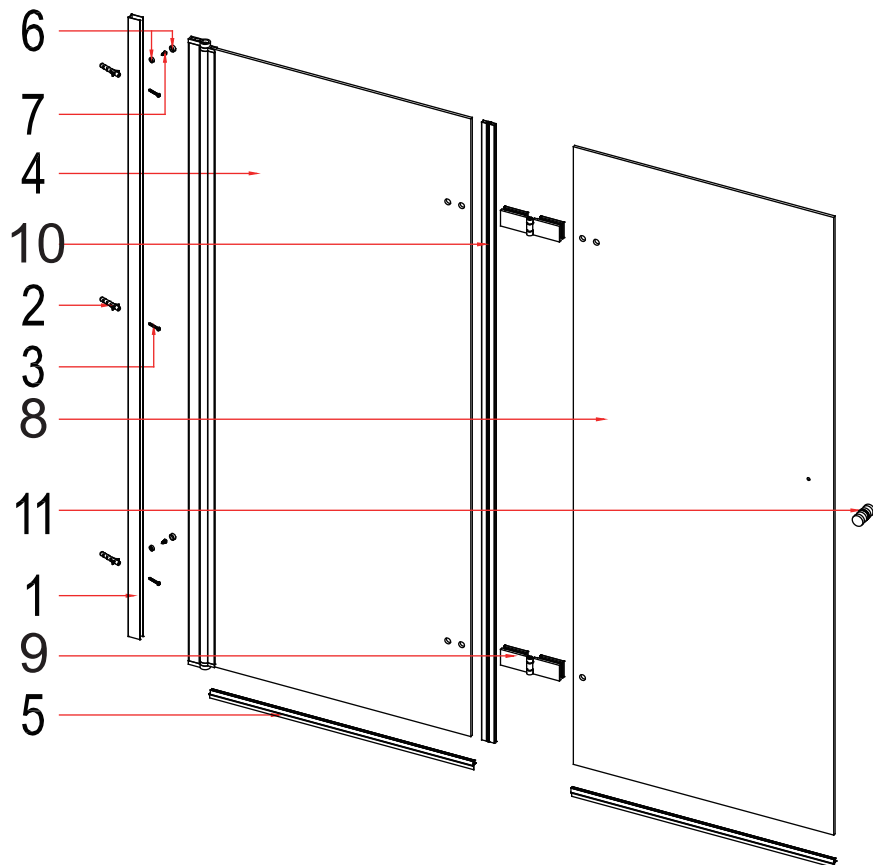
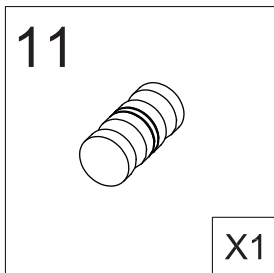
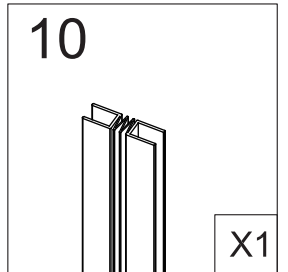
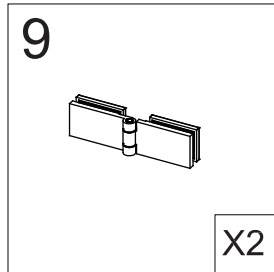
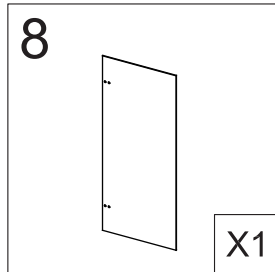
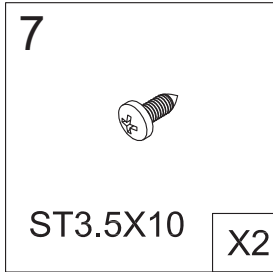
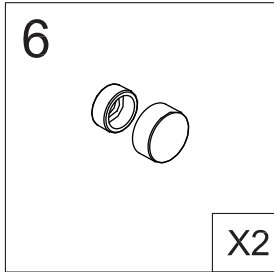
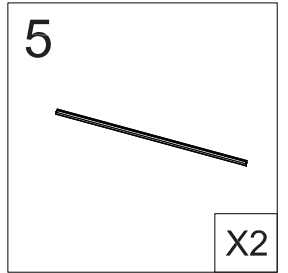
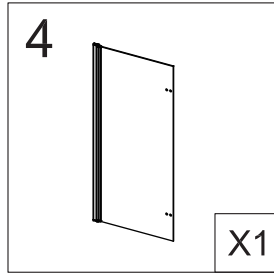
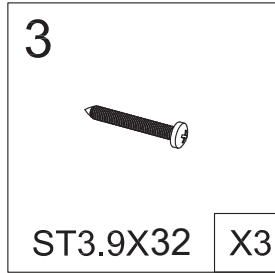
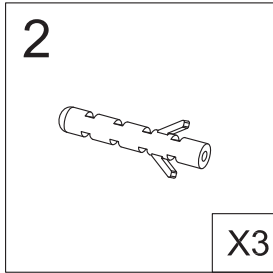
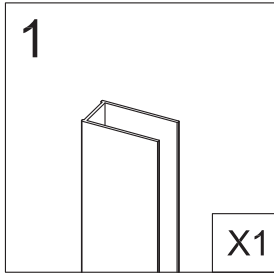
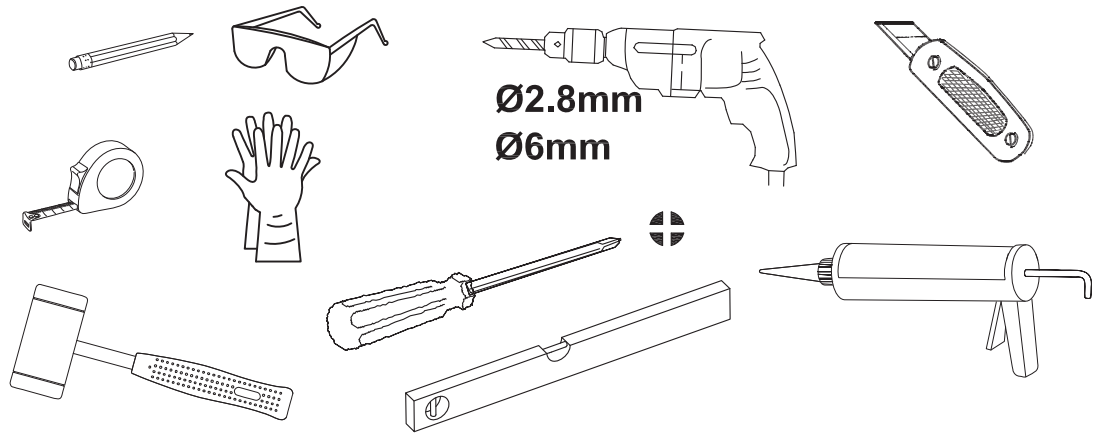
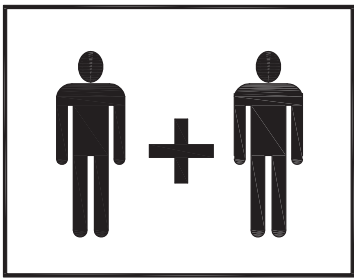
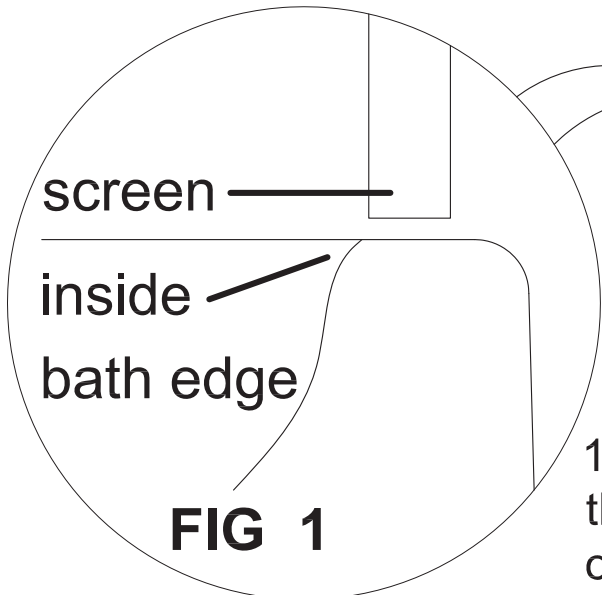
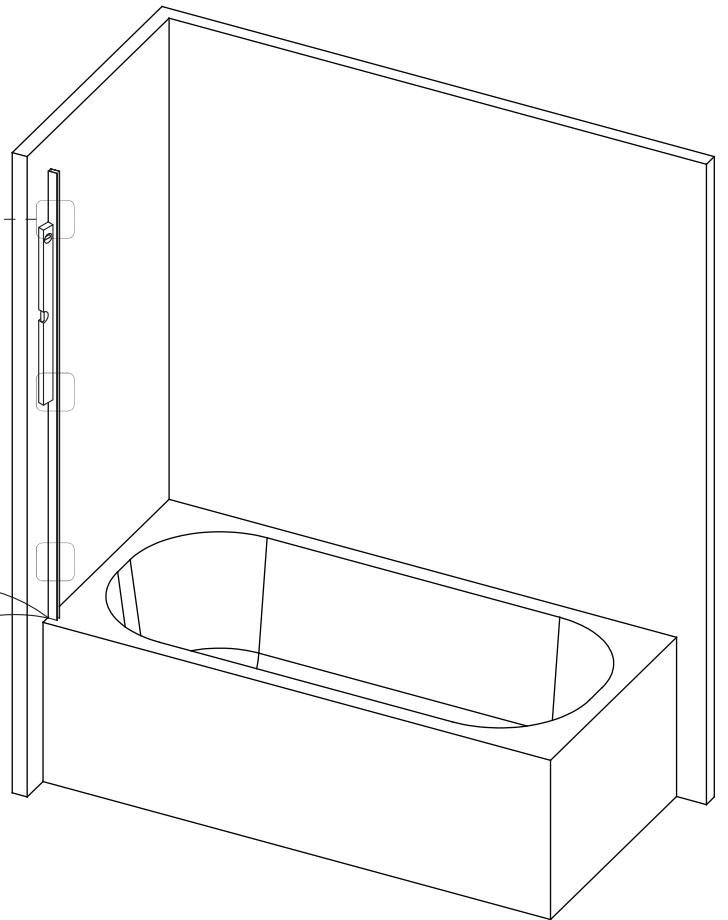
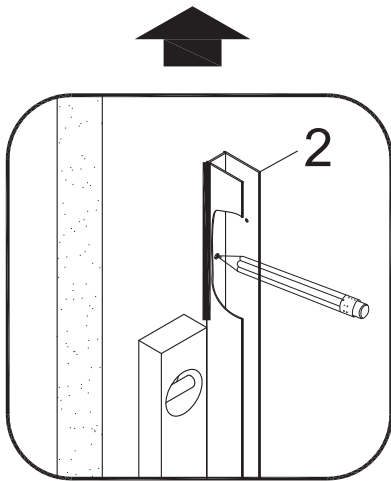
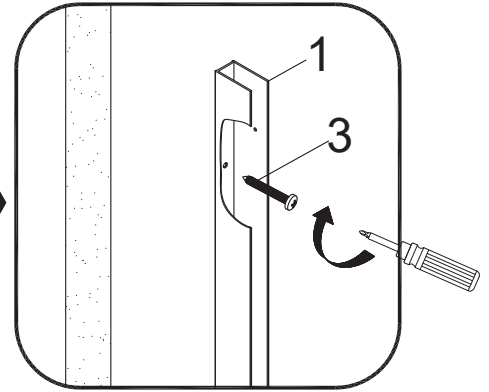
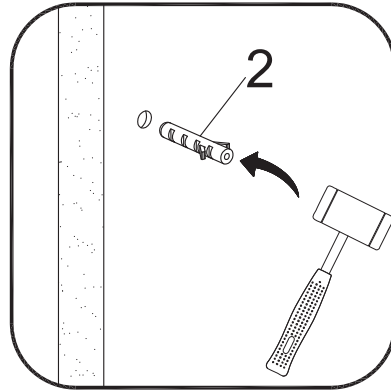
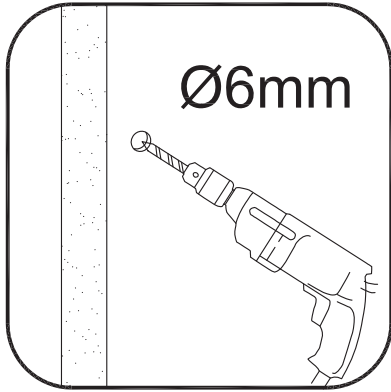
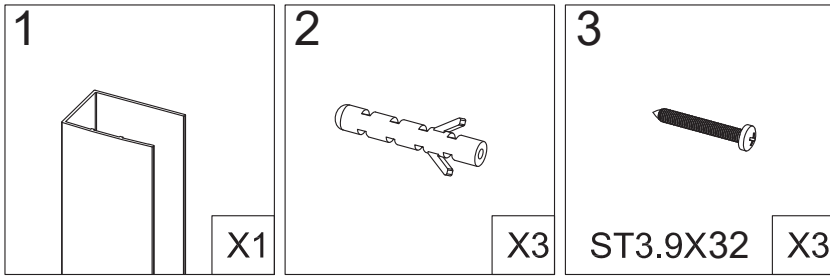
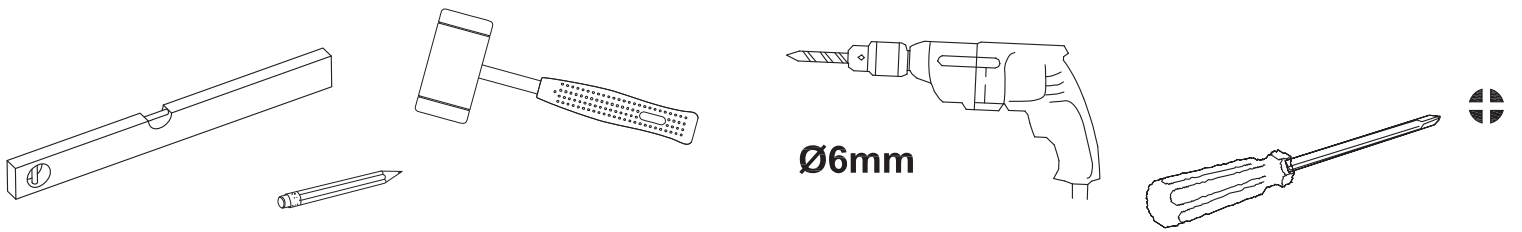


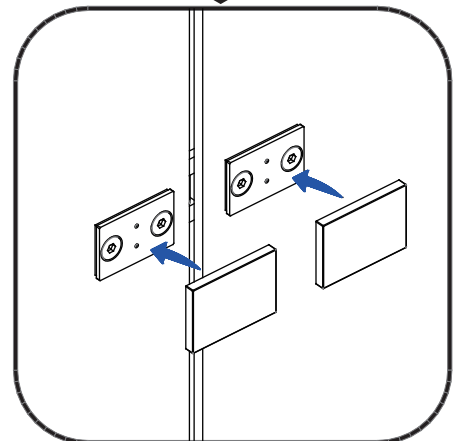
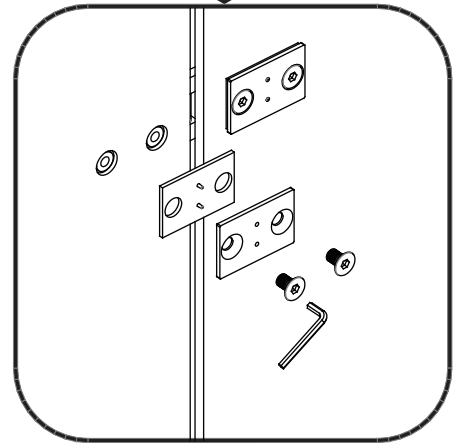
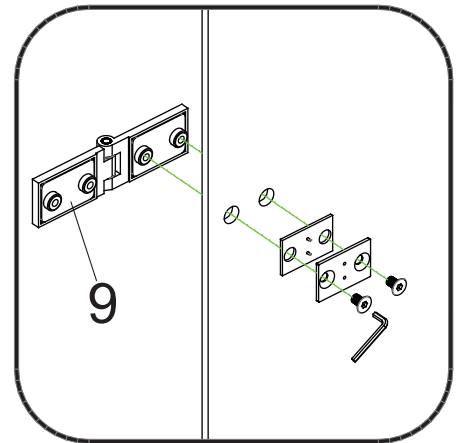
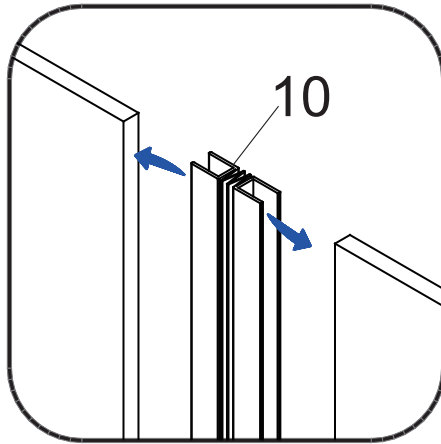
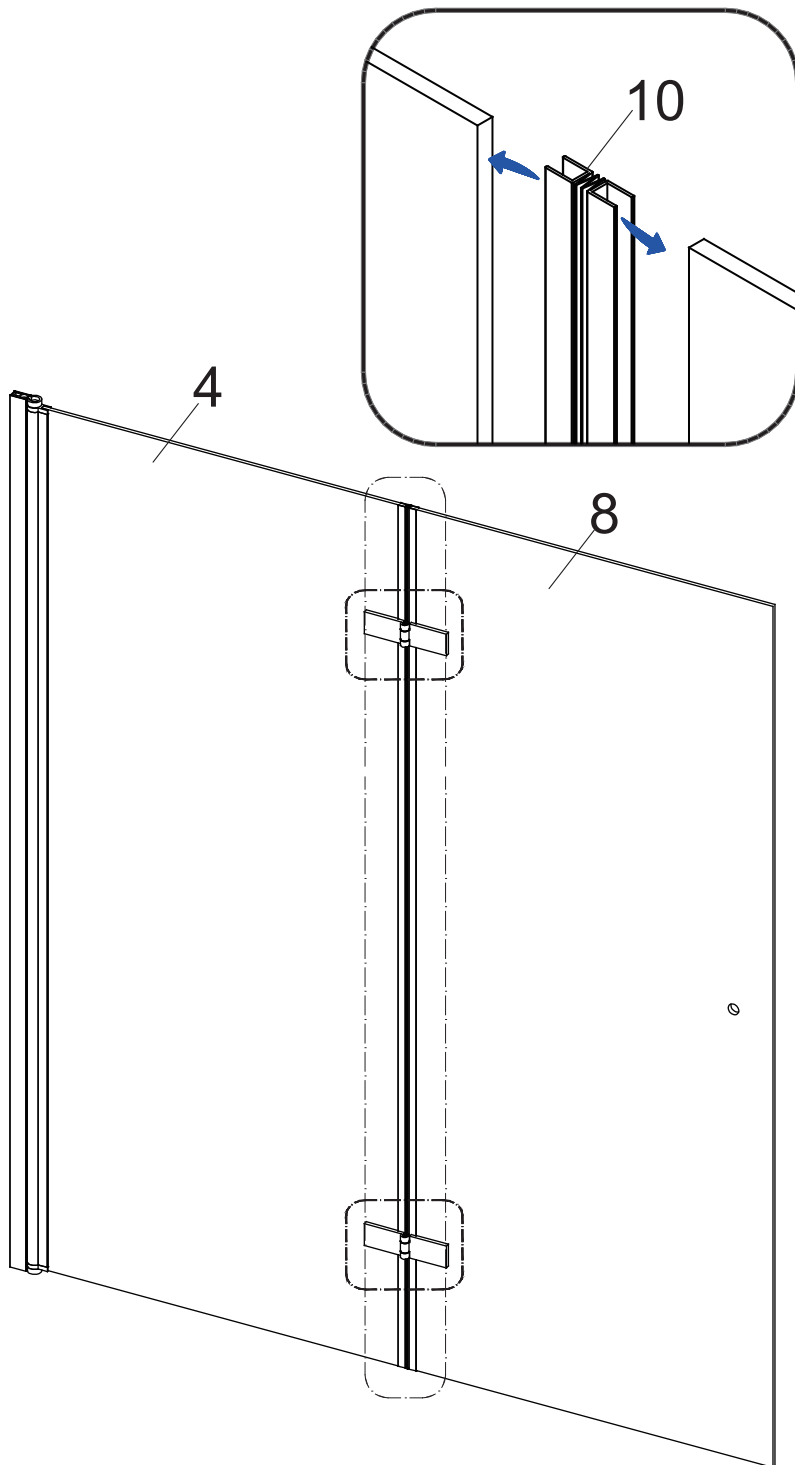
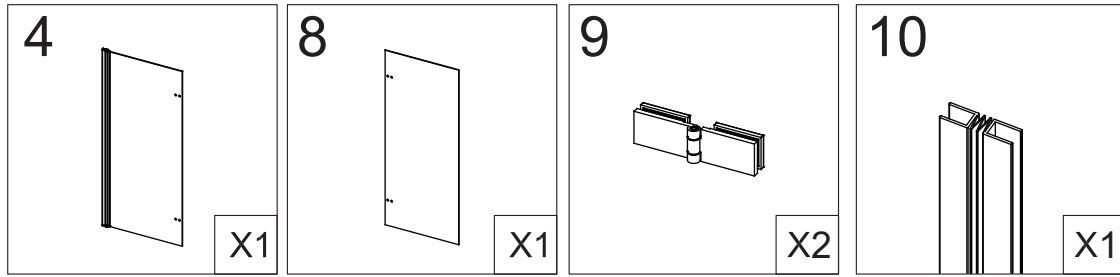
LA1220

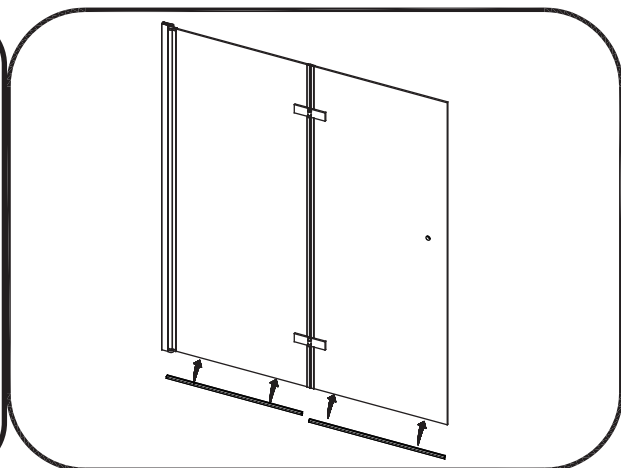
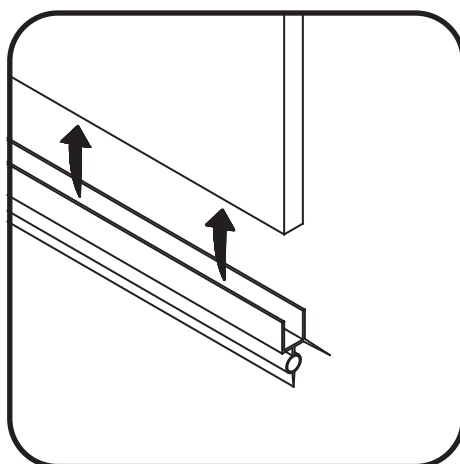
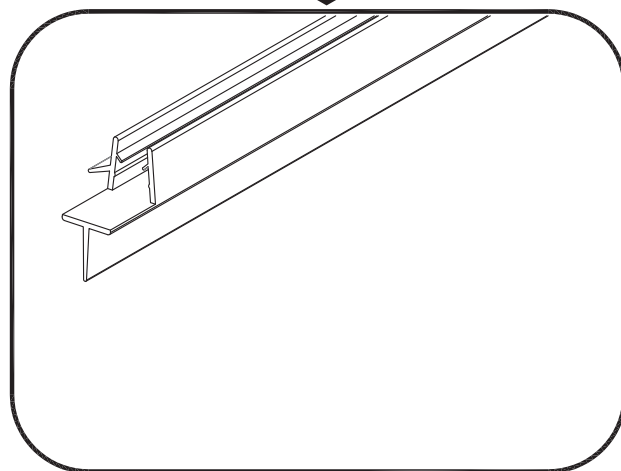
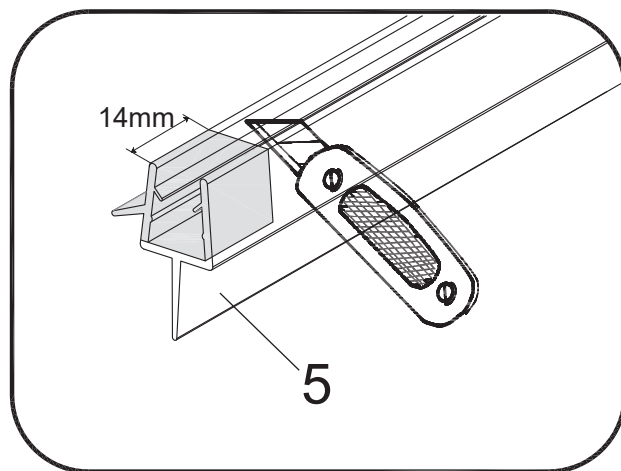
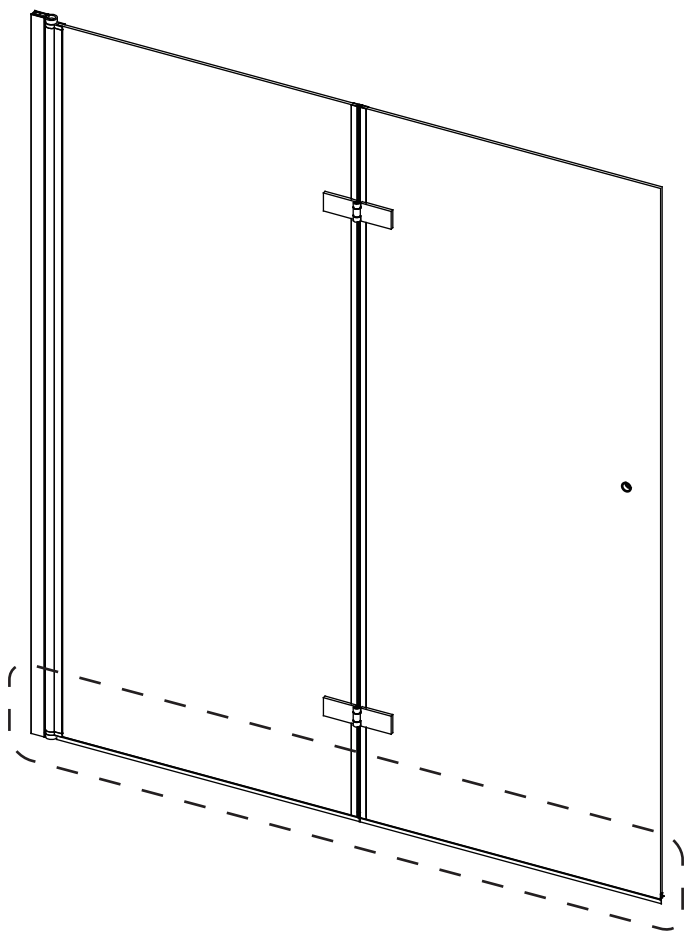
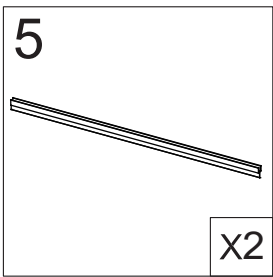


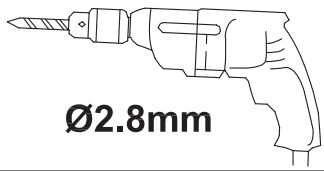




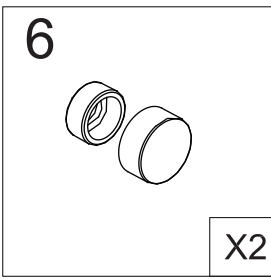
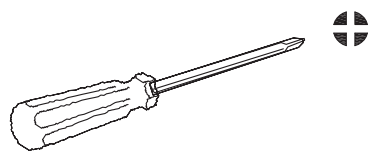
1. Position the wall profile so the seal on the moving panel sits on the inside edge of the bath .**FIG 1.**





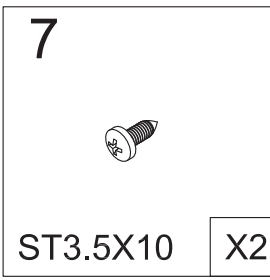


Ø2.8mm



6

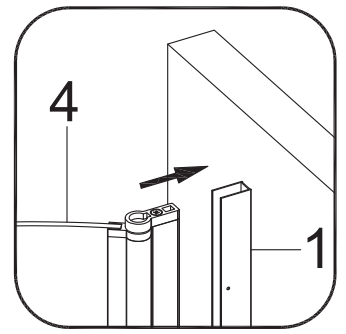
X2



7

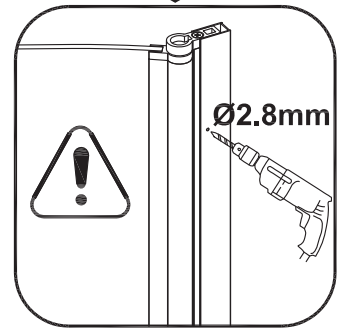
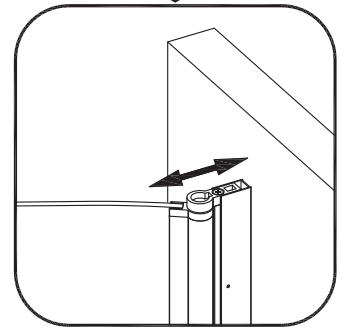
ST3.5X10

X2

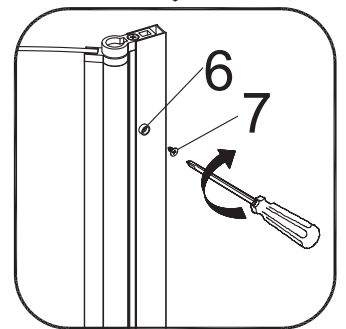


4

1

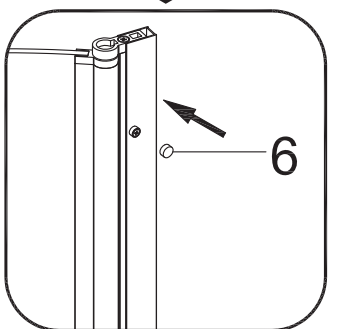


Ø2.8mm

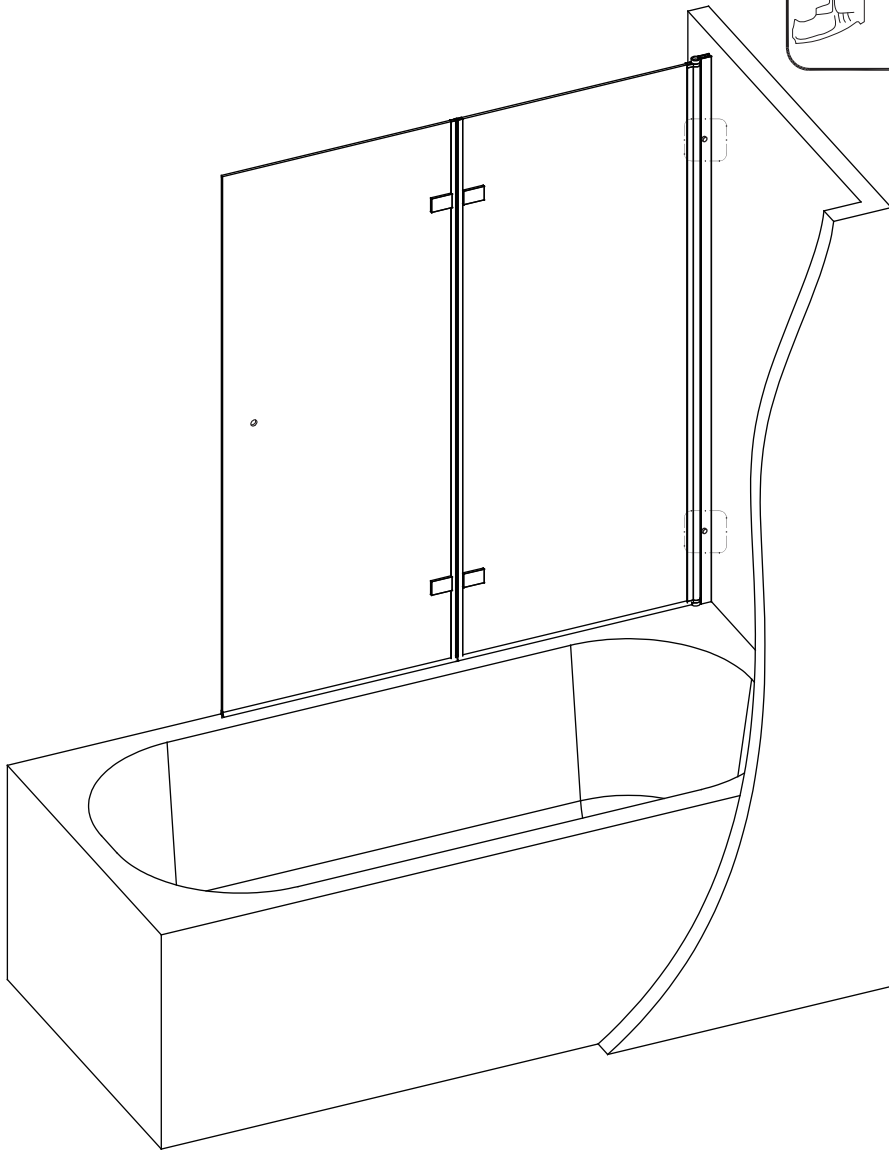
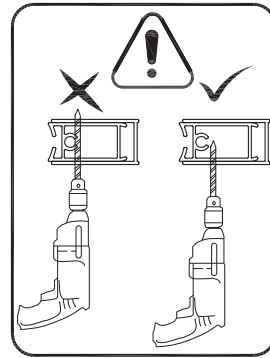


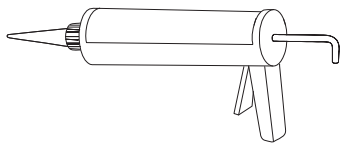
6

7

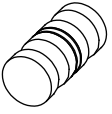


6





11



X1

